

PRODUCT DATA AND APPLICATION SHEET

PRODUCT NAME	Hot Water Pack
PRODUCT CODE	TESHWP
DESCRIPTION	HW pack comes with TESATS1DR Timer & TESMC225 Contactor 2pole 25amp



FEATURES

MODULAR CONTACTOR (MC225)

- Easily Mounted onto din rail
- Power ratings 25amp
- Number of poles: 1P with 2 x N/O
- Uc/US 230V AC
- AC-7a – 25Amp AC-7b – 9Amp
- Compliance with standards: IEC61095
- Control and Monitoring of Electrical circuits in all industrial, commercial & residential buildings.
- Control and monitoring of single phase loads up to 25amp.
- Interface between the control gear & power circuits for final circuits such as lighting, watering system, ovens, utility motors ventilation, heat pump etc.

FEATURES:

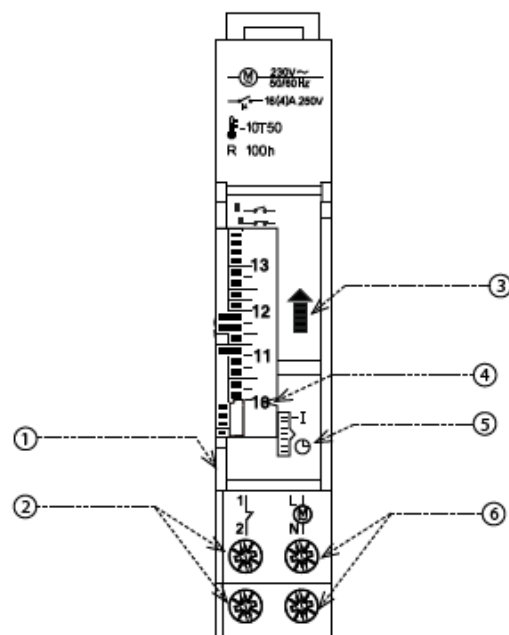
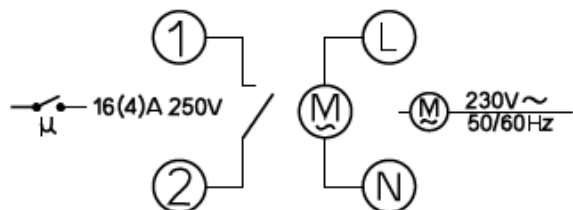
ANALOGUE TIMER SWITCH WITH DAILY PROGRAM (ATS-1DR)

Characteristics

- The mechanical time switch is a simple and inexpensive alternative to digital time switches for controlling real-time heating, ventilation, cooling, lighting or pump systems:
- Daily program
- Selection of operating modes using a switch on the panel:
 - ⌚ switches automatically according to the set program
 - I closes permanently
- Power reserve after power failure up to 100 hours, after fully charged.

Description

Connection

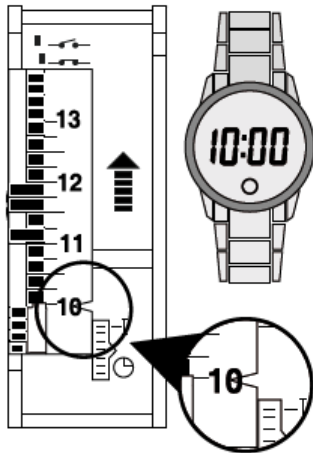


1. Transparent opening cover
2. Output contact (1-2)
3. Rotation of the programming dial
4. Time indicator
5. Operating mode switch
6. Supply voltage terminals (L-N)



Time setting - daily program

Do not turn against the of rotation of the programming dial

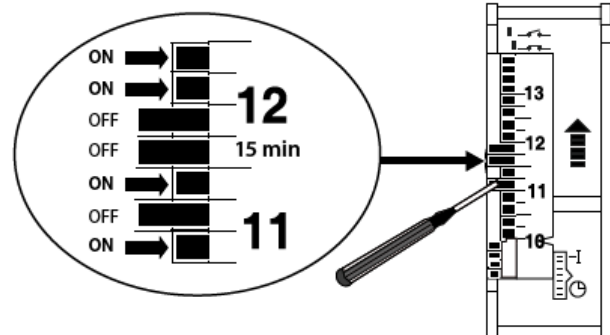


Settings

Minimum switching interval:
- daily, 15 minutes (1 segment)

High temperatures can affect the accuracy of the time switches

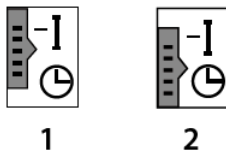
⚠ Push segments left - off
Push segments to the right - on



Example:
10:00 ... 11:00 ON
11:00 ... 11:15 OFF
11:15 ... 11:30 ON
11:30 ... 12:00 OFF
12:00 ... 13:00 ON

Operating mode

- 1 = permanently closes
- 2 = switches automatically according to the set program



Power reserve

Approximately 100 hours after being connected to the power supply, the power reserve reaches its complete charge of 100 hours.

Technical parameters

ATS-1DR

Supply	
Supply terminals:	L-N
Supply voltage:	AC 230 V (50/60 Hz)
Power consumption (max.):	1.5 VA/1 W
Supply voltage tolerance:	-10 % +10 %
Time circuit	
Program:	daily
Number of switching segments:	96
Minimum switching interval:	15 mins
Operating accuracy:	±2s/day at 25 °C
Power reserve:	max. 100 hrs
Output	
Number of contacts:	1x NO (AgCdO15)
Rated current:	16 A/AC1
Breaking capacity:	4000 VA/AC1
Switching voltage:	250 V AC
Mechanical life:	100.000 ops.
Electrical life (AC1):	30.000 ops.
Other information	
Operating temperature:	-10 .. +50 °C (14 .. 122 °F)
Storage temperature:	-10 .. +50 °C (14 .. 122 °F)
Dielectric strength:	4 kV (supply - output)
Operating position:	any
Mounting:	DIN rail EN 60715
Protection degree:	IP20
Overvoltage category:	III.
Pollution degree:	2
Cross-wire section - solid/stranded with ferrule (mm ²):	max. 1x 4, 2x 2.5/ max. 1x 4 (12 AWG)
Dimensions:	90 x 18 x 66 mm (3,55" x 0,71" x 2,6")
Weight:	70 g (2.5 oz)
Standards:	EN 61812-1, EN 60730