

PRODUCT DATA AND APPLICATION SHEET

PRODUCT NAME CZ Micro Switch

DESCRIPTION Limit Switch

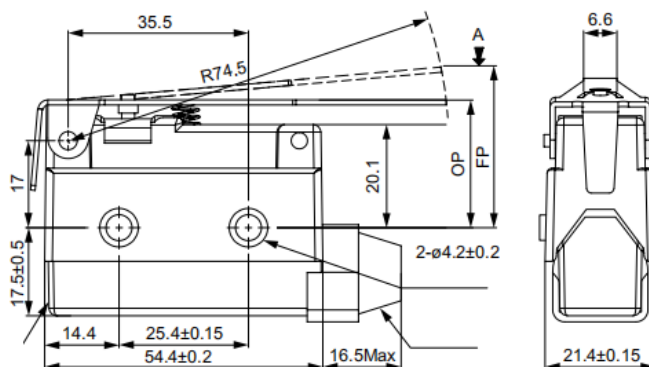
PRODUCT CODE CZ-7121, CZ-7120, 7131

SPECIFICATION

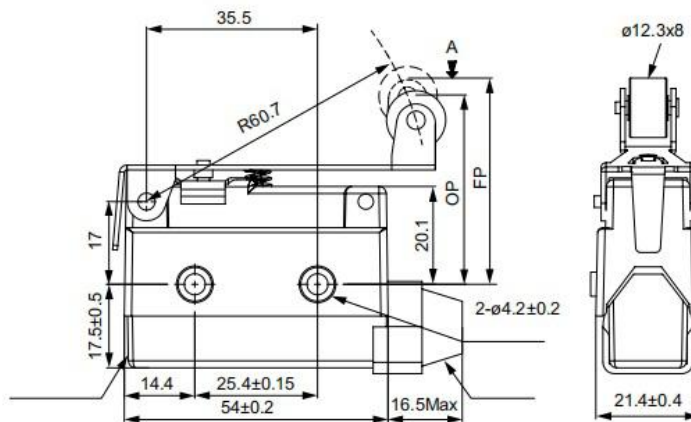
Models	CZ-7121	CZ-7120	CZ-7311			
Operating Force (Max.)	180g	150g	600g			
Release Force (Min.)	50g	40g	100g			
Pre-Travel (Max.)	11°	13.5°	20°			
Over Travle (Min.)	5mm	4mm	6mm			-
Movement Differential (Max.)	2.4mm	3.2mm	0.8mm			-
Operational Postion	40+ ₋₁ mm	25+ ₋₁ mm	33.3+ _{-1.2} mm			-



CZ-7120



CZ-7121



CZ-7311

