



Features:

Conform to standard BS En60439 IEC 60439 part 3, AS/NZS 61439.3

Supplied with neutral and earth terminal

Made of galvanized steel with 1.0mm thickness

Rated operational voltage: 415V 50/60Hz

Rated insulation voltage: 600VAC

Degree of protection: IP40

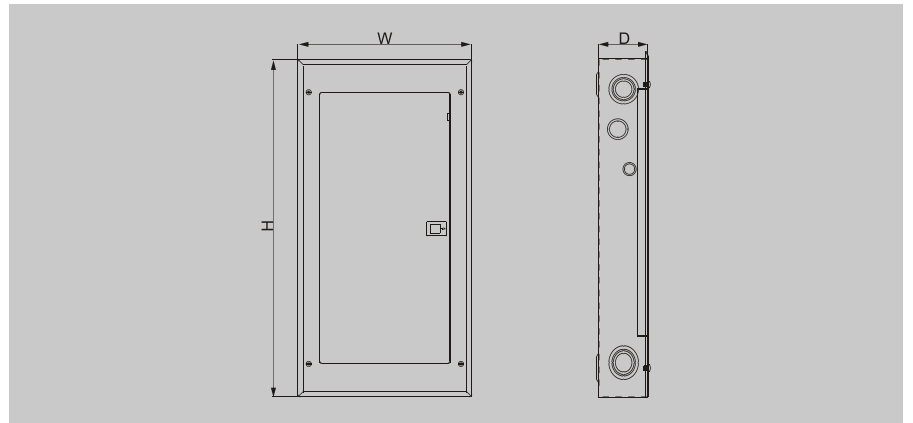
Basbar rating :125 Amp

6kA encapsulated Chassis

Surface Mount in Gray

Part Number	Surface mounting	L	W	H
DB24MS125	24 Way	668	406	98
DB36MS125	36 Way	776	406	100
DB48MS125	48 Way	884	406	102
DB60MS125	60 Way	992	406	104

Dimensions(mm)



Devices to suit TESLA Distribution Boards

Device Name

Part Number

Circuit Breaker 1 pole 10-63 Amp 10kA

MCB10K1P10 - 63

Circuit Breaker 3 pole 10-63 Amp 10kA

MCB10K3P10 - 63

RCBO 1 pole 10kA 10-32 Amp 10kA

RCBO10K10T

Surge Protection 1 pole

SP130

Surge Protection 3 pole

SP330

Emergency Test Kit

ELTEST_KIT

24 hour Timer Single channel

SUL180