

## PRODUCT DATA AND APPLICATION SHEET

**PRODUCT NAME**      **Changeover Switch 100amp Enclosed**

**PRODUCT CODE**      UKT5-4-8213-E100

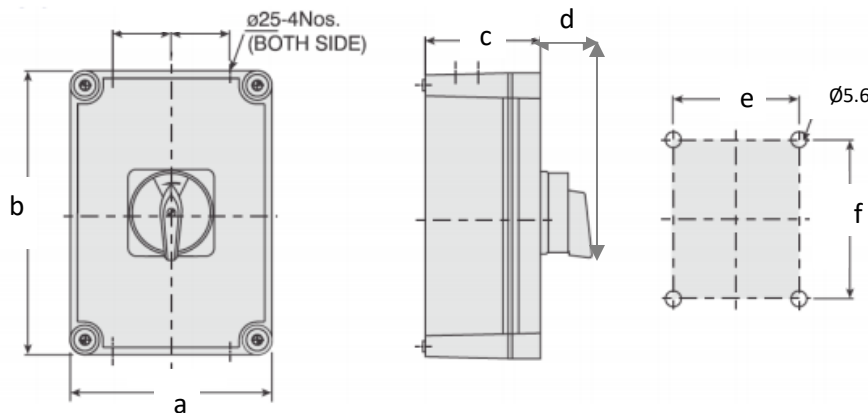
**DESCRIPTION**      Changeover Switch 100amp Enclosed 4 Pole

**BOX QUANTITY**      **1**                      **OUTER QUANTITY**      **8**

**FEATURES**



- Changeover switch rotary with OFF, 4 Pole, Enclosed 100Amp, engraved 1 0 2 mounted in a large fbox polycarbonate box, front operated.
- The tesla cam switches are designed, constructed and tested in accordance with national and international standards including VDE, DIN, IEC, UL and CSA to provide you with a reliable.
- A wide range of amp ratings is available dependent on model, including 20A, 32A, 63A and 100A and ensures a complete solution is available for all your applications.
- To be used with AC1 application only (change of Standby power to Main power & vice versa)
- Conduit entry points 25mm x 2, 20mm x 1 on side panels
- Conduit entry points on back panel 25mm/32mm x 2



<b>a</b>	<b>160</b>
<b>b</b>	<b>240</b>
<b>c</b>	<b>122</b>
<b>d</b>	<b>37</b>
<b>e</b>	<b>142</b>
<b>f</b>	<b>193</b>

## PRODUCT DATA AND APPLICATION SHEET

PRODUCT NAME **Changeover Switch 100amp Enclosed**  
**(Continued)**

SPECIFICATIONS	
Product Series	UKT
Un, Nominal Operational Voltage, AC	690 V AC
Ui, Rated Insulation Voltage	690 V (rms)
Uimp, Impulse Withstand Voltage	6 kV
Rated Frequency	50/60 Hz
Number of Poles	4
Ith, Thermal Current, Open	100 A
Ie, Rated Operational Current, AC-21a, 690V	100 A @ 690V
IP Rating	IP54
IP Rating Front	IP66
Switching Function	Changeover with Off
Mounting	Enclosed
Height	240 mm (b)
Width	160 mm (a)
Depth	165 mm (c)

