

PRODUCT DATA AND APPLICATION SHEET

PRODUCT NAME Pin or U Shape Busbars
(1 & 3 Pole, 12, 18 & 54 Module)

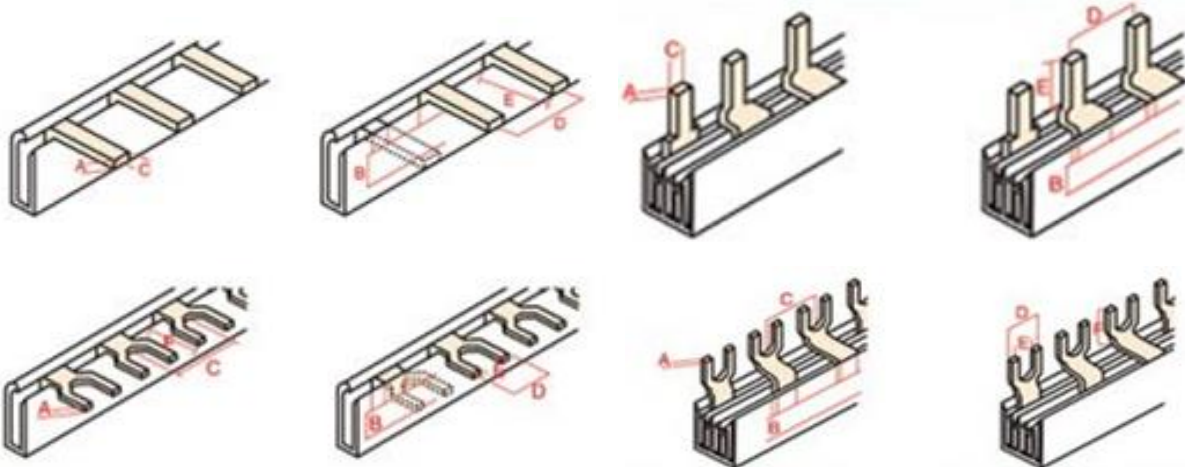
DESCRIPTION Busbar 1 and 3 Pole with current rating of 63 Amp, 12, 18 & 54 Module 400V ac.

PRODUCT CODE BUSBAR1P63-P, BUSBAR1P63-U – 12,18 & 54 module
BUSBAR3P63-P, BUSBAR3P63-U – 12, 18 & 54 module

FEATURES

- For fast and easy busbar connection
- End cover contained
- Busbar for circuit breaker small configuration

Item	Nominal Current		Nominal Voltage		Cross Section	
	63A		415V		10mm ²	
	A	B	C	D	E	F
Prong 1P63 & 3P63	1.4mm	7mm	4mm	17.8mm	11.5mm	12mm
U/Forked 1P63 & 3P63	1.4mm	7mm	4mm	17.8mm	12mm	12mm



Item No	Pin Configuration	Suits
BUSBAR1P63-P 12M / 18M / 54M	Prong	TMCB1P10-63amp & RCBO10K10-32T
BUSBAR1P63-U 12M / 18M / 54M	U/Forked	TMCB1P10-63amp,
BUSBAR3P63-P 12M / 18M / 54M	Prong	TMCB3P10-63amp
BUSBAR3P63-U 12M / 18M / 54M	U/Forked	TMCB3P10-63amp